

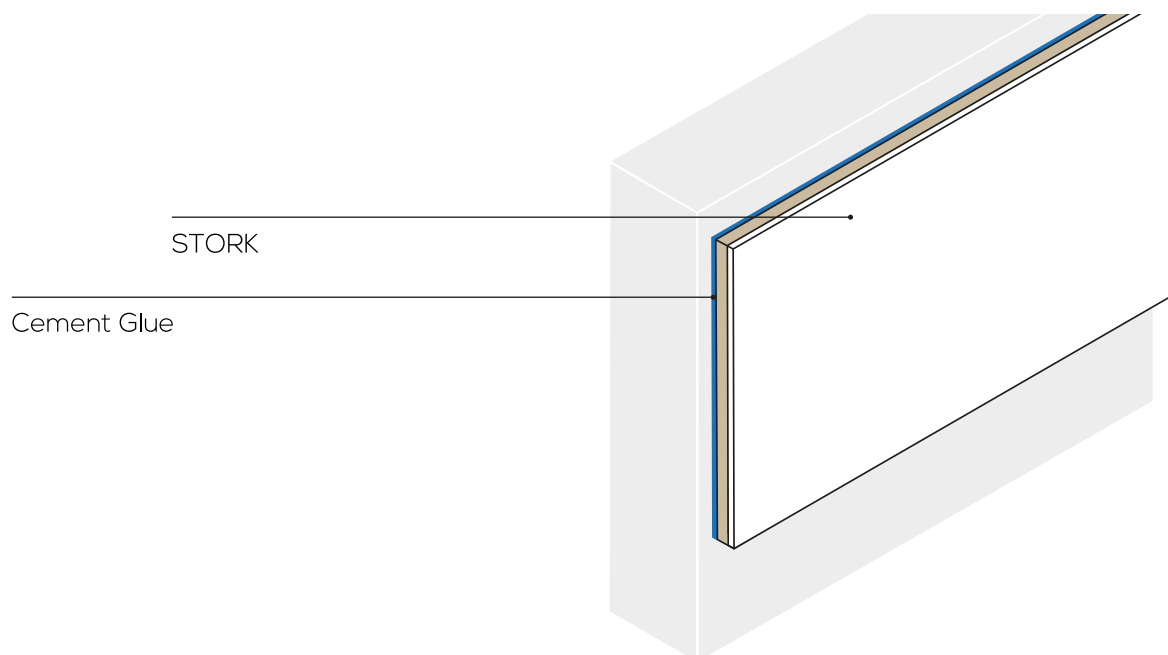
STORK

INSTALATION DETAILS INTERIOR WALLS

STORK offer a choice of lightweight wall cladding or partition wall solution for new builds and renovations.

STORK wall panels can be used to improve sound or thermal insulation.

Safe, easy on all types of substrate or partition sub-structure.



FURTHER QUESTIONS, ADVICE OR REQUESTS?
TALK TO US

Detailed drawings and recommended texts for tender documentation of the shown examples are available on request. Do you need help or advice on a project? Contact our experienced technical services department – get in touch.

PLEASE READ DISCLAIMERS:

These guidelines are provided in good faith to help prevent any problems caused by common errors in installation.

The manufacturer and/or distributor of this product shall not be held responsible for installation actions taken or not taken. There are many details of installation that are assumed to be general construction knowledge of professional installers; which are not included in these instructions. These installation guidelines are intended to be strictly recommendations and are NOT to serve as a step-by-step, fail-safe installation checklist. Selection of an experienced installer is the sole responsibility of the project owner and designer/architect.

Stork Composites do not accept any responsibility for job failure resulting from or associated with improper site environmental conditions.